

Current part is item (13) on diagram. Available at www.oshkoshequipment.com

(1) SMR Code	(2) Federal Stock Number	(3) DESCRIPTION	(4) UNIT	(5) Qty	(6) 30-day DS maint	(7) 30-day GS maint	(8) 1-yr	(9) Depot	(10) Illustration	of inc. allowance	allowance	alw	maint	(a)	(b)	
										meas in Unit		per equip	per 100 equip	Figure No.	Item No.	
		Reference Number & Mfr. Code	Usable On Code	(a)	(b)	(c)	(a)	(b)	(c)			cnt-	equip	No.	No.	
				1-20	21-50	51-100	1-20	21-50	51-100			gcy				
1202-SERVICE BRAKES-CONTINUED																
P-O	2530-656-4895	SHIELD,HEAT: WHEEL CYLINDER 7409323 (19207)	A	EA	6	*	*	*	*	*	*	4	8	79	6	
P-O	2530-272-8106	LINK,WHEEL CYLINDER 7413486 (19207)	A	EA	12	*	*	*	*	*	*	4	8	79	7	
P-O	2530-864-2990	SHOE: BRAKE WITH LINING 7409380 (19207)	A	EA	12	*	*	*	*	*	*	60	120	79	8	
P-O	5315-740-9379	PIN,GROOVED,HEADLESS: 7979330 (91207)	A	EA	12	*	*	*	*	*	*	6	10	79	9	
P-O	5310-740-9385	WASHER,SPRING TENSION: 7409385 (19207)	A	EA	12	*	*	*	*	*	*	6	10	79	10	
P-O	5310-059-4261	WASHER,FLAT: 7414384 (19207)	A	EA	24	*	*	*	*	*	*	6	10	79	11	
P-O	5340-944-4911	RETAINING: MS16633-3025 (96906)	A	EA	12	*	*	*	*	*	*	6	10	79	12	
P-O	5310-797-9322	WASHER,SLOTTED: 7979332 (19207)	A	EA	12	*	*	*	*	*	*	6	10	79	13	
P-O	2530-204-3622	LINK,ANCHOR BRAKE SHOE: 797340 (19207)	A	EA	6	*	*	*	*	*	*	6	10	79	14	
X2-O		BRACKET: ANCHOL PIN MOUNTING 7979334 (19207)	A	EA	6							6	10	79	15	
P-O	5310-584-7888	WASHER,LOCK: MS35338-51 (96906)	A	EA	12	*	*	*	*	*	*	6	10	79	16	
P-O	5310-275-9460	NUT,PLAIN,HEXAGON: 7413488 (19207)	A	EA	12	*	*	*	*	*	*	6	10	79	17	
P-O	5310-595-7237	WASHER,LOCK: (COMONENT OF PARTS KIT, GUIDE PIN FSN, 2530-137-9275 MS35333-42 (96906)	A	EA	12	*	*	*	*	*	*	6	10	79	18	
P-O	5310-732-0555	NUT,PLAIN,HEXAGON: (COMPONENT OF PARTS KIT, GUIDE PIN FSN 2530-137-9275 MS1968-8 (96906)	A	EA	12	*	*	*	*	*	*	6	10	79	19	
P-O	2530-925-0139	PIN,GUIDE: BRAKE SHOE 11593201 (19207)	A	EA	12	*	*	*	*	*	*	6	12	79	20	
P-O	2530-797-9335	SPRING,HELICAL: 7979339 (19207)	A	EA	6	*	*	*	*	*	*	4	8	79	21	
P-O	5315-842-3044	PIN,COTTRE: GUIDE PIN MS24665-283 (96906)	A	EA	12	*	*	*	*	*	*	8	20	79	22	
P-F		RIVET: MS35743-76 (96906)	A	EA	24	*	*	*	*	*	*	8	20	79	23	
P-O	2530-461-3835	PIN,PIVOT,BRAKE SHOE: 7979271 (19207)	A	EA	12	*	*	*	*	*	*	4	8	79	24	

Current part is item (13) on diagram. Available at www.oshkoshequipment.com

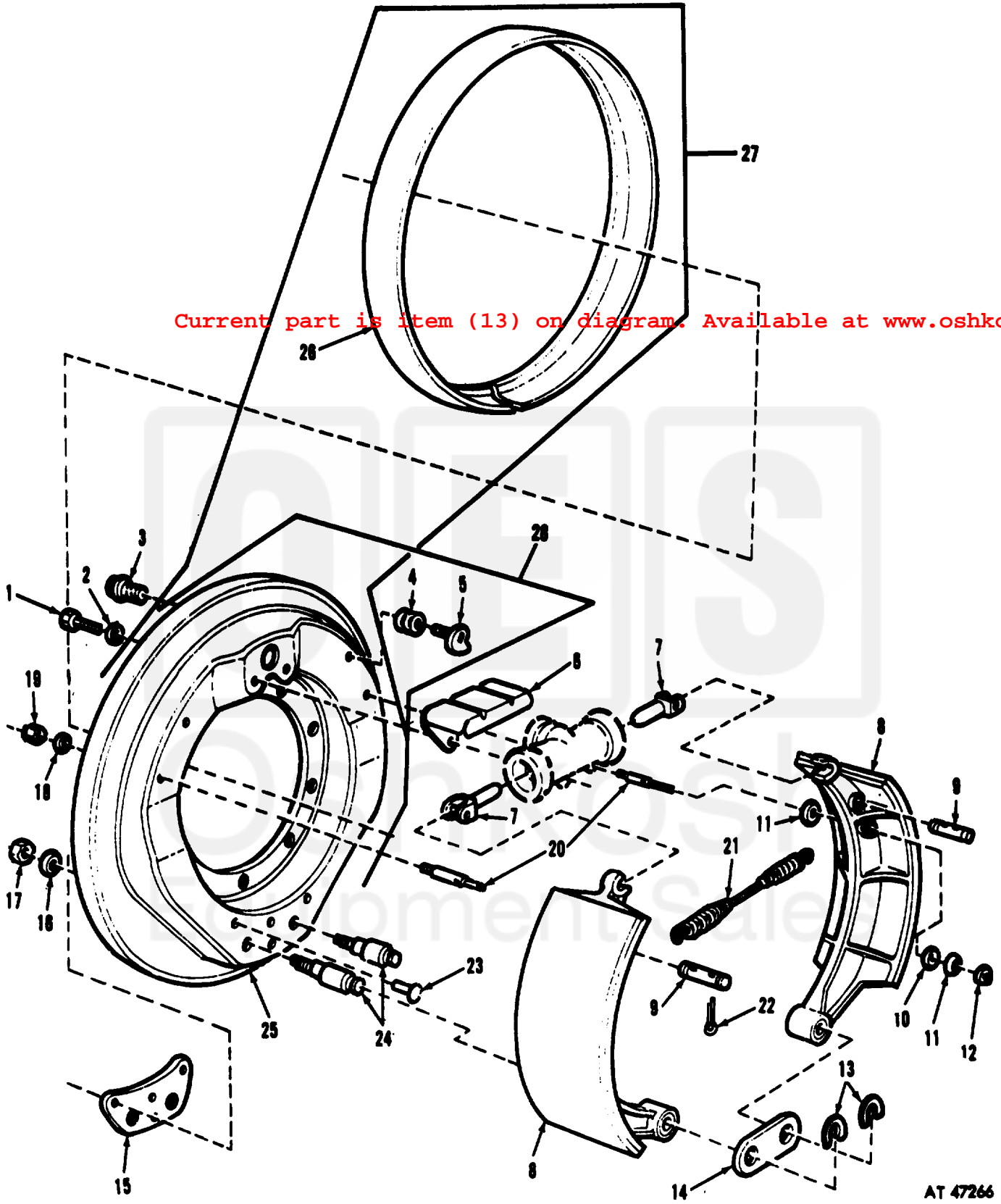


Figure 79. Service brakes.